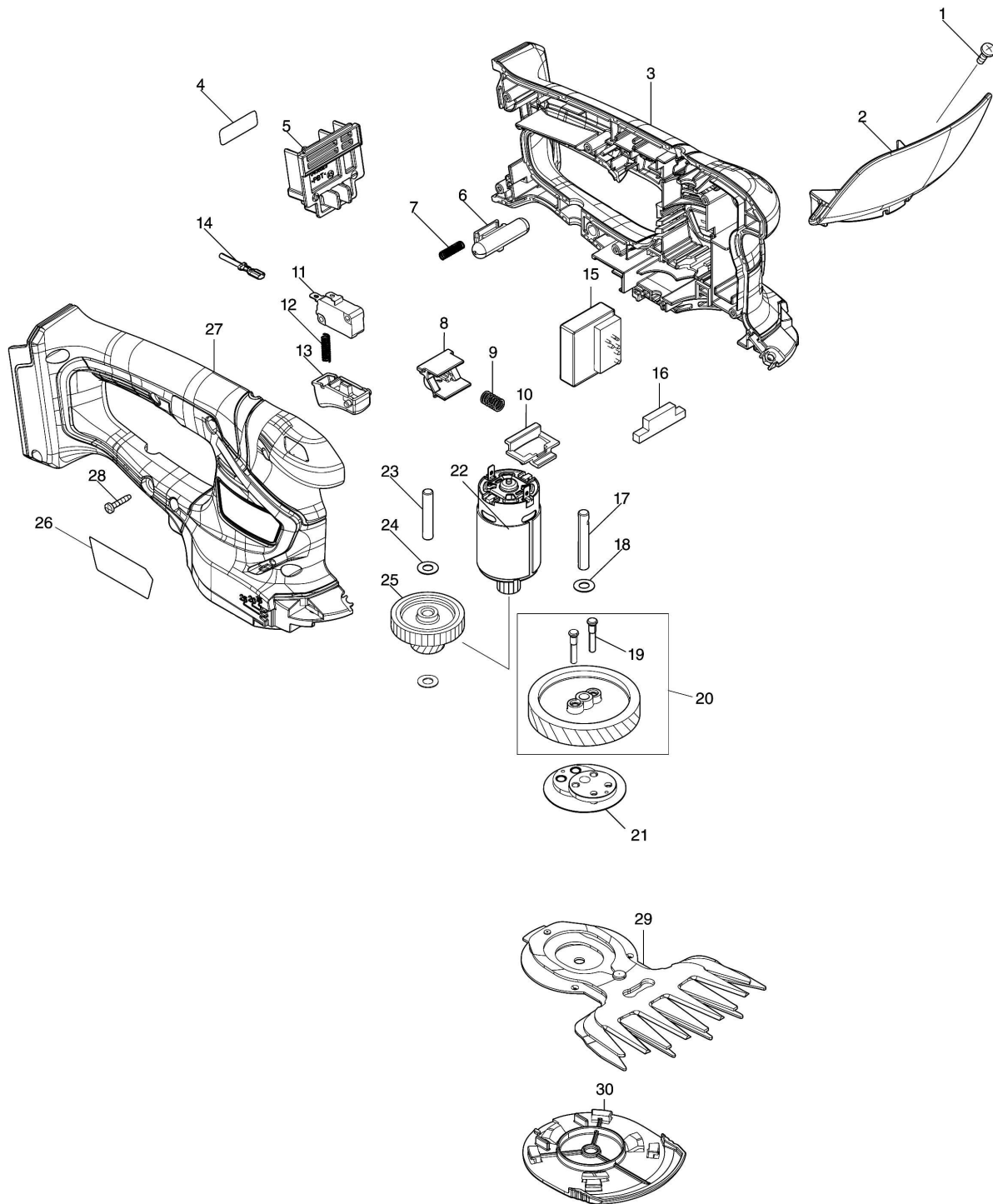


Model No.UM110D 110MM CORDLESS GRASS SHEAR



Model No.UM110D 110MM CORDLESS GRASS SHEAR

Položka	Číslo dílu	Popis	Změna	Množství	New/Old	Možnost 1	Možnost 2	Poznámka
001	915116-7	šroub M4x12		1				
002	141C31-9	PROTECTOR COMPLETE		1	*			
C10	8030K3-8	CAUTION LABEL		1	*			
002-1	140V97-0	PROTECTOR COMPLETE	<	1				
C10	819948-3	CAUTION LABEL		1				
003	183G07-4	HOUSING SET		1				
C10	931102-0	matka M4		1				
C20	346275-0	PLATE		2				
D10		INC. 27						
004	811935-8	UM110D SERIAL NO. LABEL		1				
005	643862-9	TERMINAL		1				
006	452438-9	LOCK OFF BUTTON		1				
007	231473-8	Compression Spring 4		1				
008	454878-7	SLIDE PLATE		1				
009	234339-1	COMPRESSION SPRING 6		1				
010	454879-5	LOCK LEVER		1				
011	650744-8	SWITCH D3V-16-3C26		1				
012	231473-8	Compression Spring 4		1				
013	417564-1	SWITCH LEVER		1				
014	632S19-1	LEAD UNIT		1				
015	620E39-3	CONTROLLER		1				
016	451814-4	DUST GUARD		1				
017	268254-7	PIN 6		1				
018	253715-0	podložka 6		1				
019	268256-3	PIN 4		2				
020	135883-0	HELICAL GEAR 47 ASS'Y		1				
D10		INC. 19						
021	161598-3	CRANK COMPLETE		1				
022	629945-9	DC MOTOR		1				
023	268076-5	PIN 6		1				
024	253715-0	podložka 6		2				
025	226831-1	GEAR 12-31		1				
026	811932-4	UM110D NAME PLATE		1				
027	183G07-4	HOUSING SET		1				
C10	931102-0	matka M4		1				
C20	346275-0	PLATE		2				
D10		INC. 3						
028	266429-2	TAPPING SCREW 3X16		6				
029	191N23-4	SHEAR BLADE ASSEMBLY 110 SET		1				
C10	188369-3	OIL VESSEL SET		1				
030	140451-6	UNDER COVER COMPLETE		1				
A01	191N24-2	SHEAR BLADE ASSEMBLY 200S SET		1				
C10	188369-3	OIL VESSEL SET		1				
A02	413885-9	BLADE COVER 110		1				

Model No.UM110D 110MM CORDLESS GRASS SHEAR

Položka	Číslo dílu	Popis	Změna	Množství	New/Old	Možnost 1	Možnost 2	Poznámka
A03	413429-5	STORAGE COVER		1				
A04	458342-0	BLADE COVER		1				
A05	452652-7	BATTERY COVER		1				
A06	***DC18WA	DC18WA BATTERY CHARGER		1				
D10		COMPO-PARTS						
A07	198186-3	BATTERY BL1815G SET		1				
E01	8030P0-9	SOUND XXDB LABEL		1				

Please order the parts with part number.

Print Date 29/3/2021