



Cordless Angle Grinder  
GA035G, GA036G 150 mm (6")



# 40Vmax

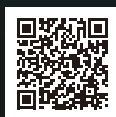
Li-ion

Delivers the same power as 1,000W corded grinders

150mm 40Vmax Angle Grinder







## GA035G

Slide switch



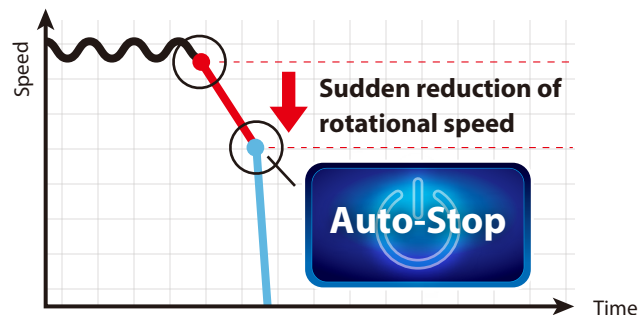
## GA036G

Paddle switch



## AFT Active Feedback sensing Technology

Shuts down the tool, if the rotation speed suddenly slows down.



### Accessories

#### Wheel cover

for cut-off wheel  
Part No. 162947-7  
140X62-1



#### Vibration proof grip set

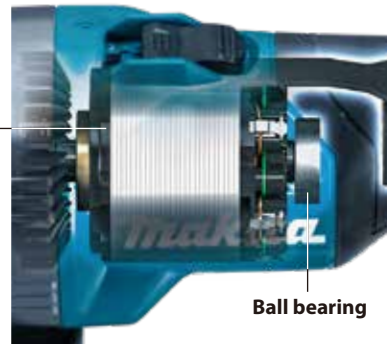
Part No. 194514-0



## High power

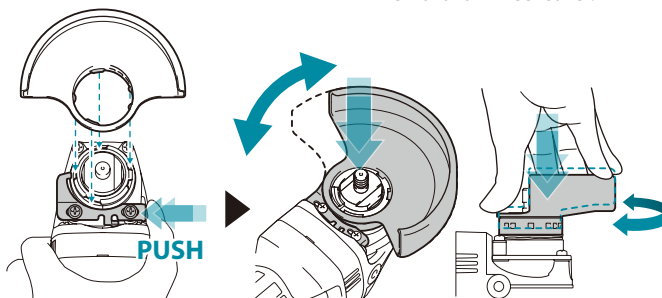
40Vmax XGT Li-ion battery and BL motor deliver sufficient power even to rotate a 150mm wheel.

## BL MOTOR



## New toolless wheel cover (Slide lever style)

allows for fast and easy angle adjustment and installation / removal of wheel cover.



## XPT

### eXtreme Protection Technology



## Electric brake

maximizes productivity and increases safety for operator

## Cordless Angle Grinder

### GA035G, GA036G 150 mm (6")

	GA035G/ GA036G
Brake	150 mm (6")
Soft Start	22.23 mm (7/8")
Dust Collection	8,500
<b>Standard Equipment :</b>	146 mm (5-3/4") / 151 mm (5-15/16")
Grinding Wheel,	<b>Surface Grinding w/ Normal Side Grip:</b>
Toolless Wheel	7.0 m/s <sup>2</sup> / 9.0 m/s <sup>2</sup>
Cover, Side Grip,	<b>Surface Grinding w/ Anti-Vibration Side Grip:</b>
Lock Nut Wrench	9.5 m/s <sup>2</sup> / 9.0 m/s <sup>2</sup>
	<b>Disc Sanding w/ Normal Side Grip:</b>
	4.5 m/s <sup>2</sup> / 4.0 m/s <sup>2</sup>
	<b>Disc Sanding w/ Anti-Vibration Side Grip:</b>
	4.0 m/s <sup>2</sup> / 3.5 m/s <sup>2</sup>
	<b>Sound Pressure Level</b>
	82 dB(A)
	<b>Sound Power Level</b>
	93 dB(A)
	<b>Dimensions</b>
	w/ BL4020 / BL4025: 398 x 171 x 156 mm
	(15-5/8 x 6-3/4 x 6-1/8")
	w/ BL4040: 410 x 171 x 168 mm
	(16-1/8 x 6-3/4 x 6-5/8")
	<b>Net weight</b>
	3.0 - 4.0 kg (6.6 - 8.8 lbs.)

The weight may differ depending on the attachment(s), including the battery cartridge. The lightest and heaviest combination, according to EPTA-Procedure 01/2014, are shown in the table. Items of standard equipment and specifications may vary by country or area.

# Makita Corporation

3-11-8 Sumiyoshi-cho, Anjo, Aichi, 446-8502 Japan