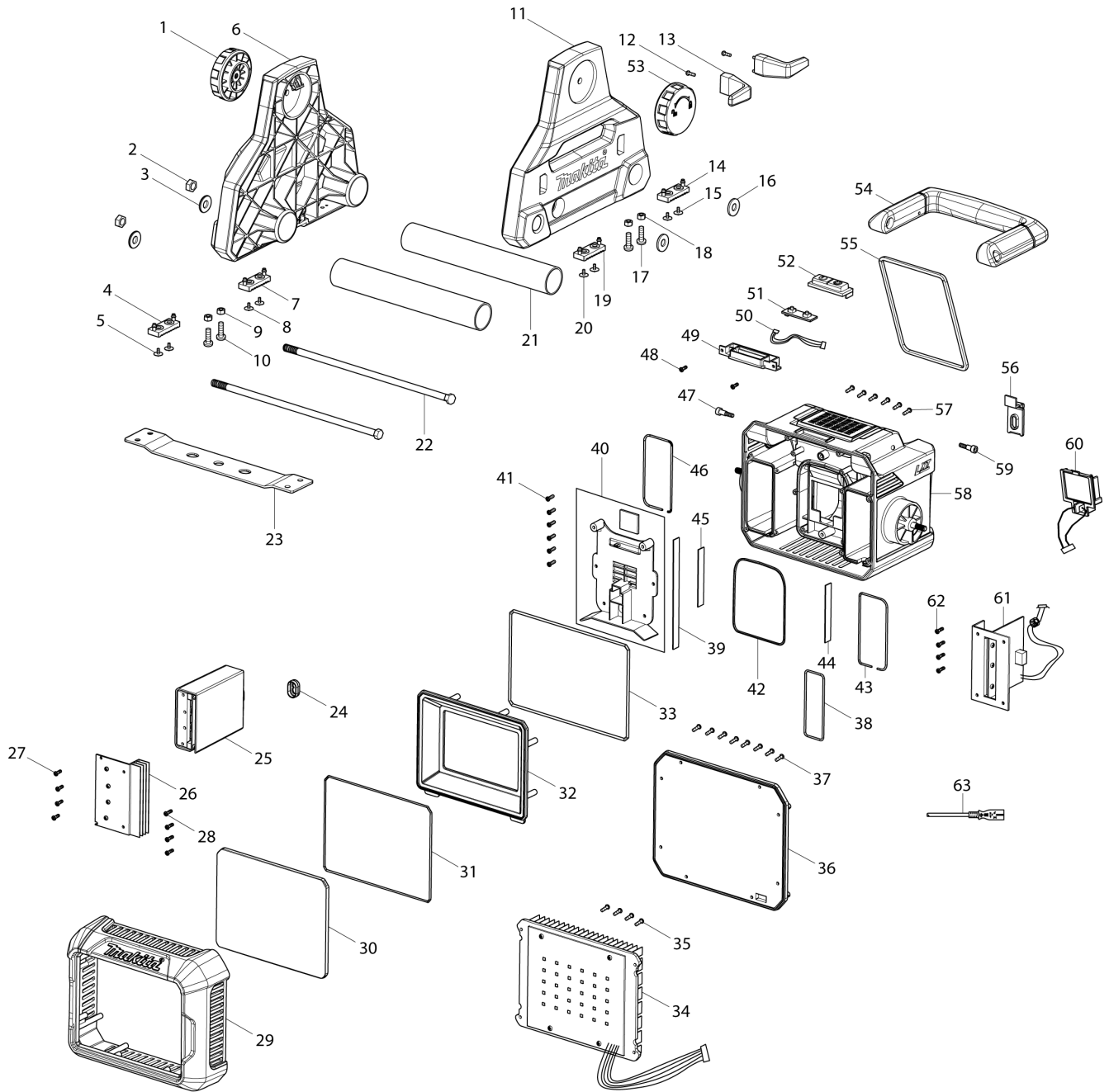


Diagram / Parts List

DML811

CORDLESS WORKLIGHT

(DE) DML811 / CORDLESS WORKLIGHT



DML811 / CORDLESS WORKLIGHT

Item	Sub	Parts No.	Parts Description	Qty	I/C	E/C No.	Close No.	Remark
001		GM00002160	LATCH KNOB ASSY	1				
002		GM00002158	NUT M8	2				
003		GM00002157	METAL OD20XID8.5X2MM	2				
004		GM00002154	RUBBER FOOT	1				
005		GM00002164	SCREW 3X6 PWB	2				
006		GM00002162	STAND LEFT ASSY	1				
007		GM00002154	RUBBER FOOT	1				
008		GM00002164	SCREW 3X6 PWB	2				
009		GM00002155	NUT M5	2				
010		GM00002156	SCREW 5X15 PM	2				
011		GM00002161	STAND RIGHT ASSY	1				
012		GM00002165	SCREW 3X18 PT	2				
013		GM00002159	AC POWER CORD HOOKS	2				
014		GM00002154	RUBBER FOOT	1				
015		GM00002164	SCREW 3X6 PWB	2				
016		GM00002157	METAL OD20XID8.5X2MM	2				
017		GM00002156	SCREW 5X15 PM	2				
018		GM00002155	NUT M5	2				
019		GM00002154	RUBBER FOOT	1				
020		GM00002164	SCREW 3X6 PWB	2				
021		GM00002153	STAND HOLDING TUBE	2				
022		GM00002152	METAL M8 BOLT	2				
023		GM00002151	BASE HOLDING PLATE	1				
024		GM00002150	AC SOCKET HOLDER O-RING	1				
025		GM00002148	EU AC POWER ASSY	1				
026		GM00002145	AC POWER HEAT SINK ASSY	1				
027		GM00002149	SCREW 3X14 PB NI	4				
028		GM00002165	SCREW 3X18 PT	4				
029		GM00002114	FRONT COVER ASSY	1				
030		GM00002115	LENS ASSY	1				
031		GM00002116	LENS O-RING	1				
032		GM00002117	REFLECTOR ASSY	1				
033		GM00002118	RUBBER HEAT SINK O-RING A	1				
034		GM00002119	LED PCBA ASSY	1				
035		GM00002165	SCREW 3X18 PT	4				
036		GM00002120	MID-BODY COVER	1				
037		GM00002165	SCREW 3X18 PT	8				
038		GM00002133	MID-BODY O-RING	1				
039		GM00002166	EVA-B	1				
040		GM00002130	TERMINAL HOLDING PLATE ASSY	1				
041		GM00002165	SCREW 3X18 PT	6				
042		GM00002131	TERMINAL HOLDING PLATE O-RING	1				
043		GM00002132	MID-BODY O-RING	1				
044		GM00002134	EVA-B	1				
045		GM00002134	EVA-B	1				
046		GM00002132	MID-BODY O-RING	1				
047		GM00002137	INSIDE-HEX SCREW	1				
048		GM00002163	SCREW 3X14 PB NI	2			Y08096	
048-1		GM00002149	SCREW 3X14 PB NI	2	O	Y08096		
049		GM00002138	SWITCH HOLDER	1				
050		GM00002139	4P WAFER	1				
051		GM00002140	SWITCH PCBA ASSY	1				
052		GM00002141	SWITCH ASSY	1				
053		GM00002160	LATCH KNOB ASSY	1				
054		GM00002144	HANDLE ASSY	1				
055		GM00002143	LATCH O-RING	1				
056		GM00002142	AC SOCKET O-RING	1				
057		GM00002165	SCREW 3X18 PT	6				
058		GM00002136	MID-BODY ASSY	1				
059		GM00002137	INSIDE-HEX SCREW	1				
060		GM00002135	BATTERY HOLDER ASSY	1				
061		GM00002121	MAIN PCBA ASSY	1				
062		GM00002165	SCREW 3X18 PT	4				
063		GM00002127	VDE AC POWER CORD	1				

Interchange
 O : Yes
 X : No
 < : the new part can be substituted for the current.
 > : the current part can be substituted for the new.
 S : Interchangeable as a set.