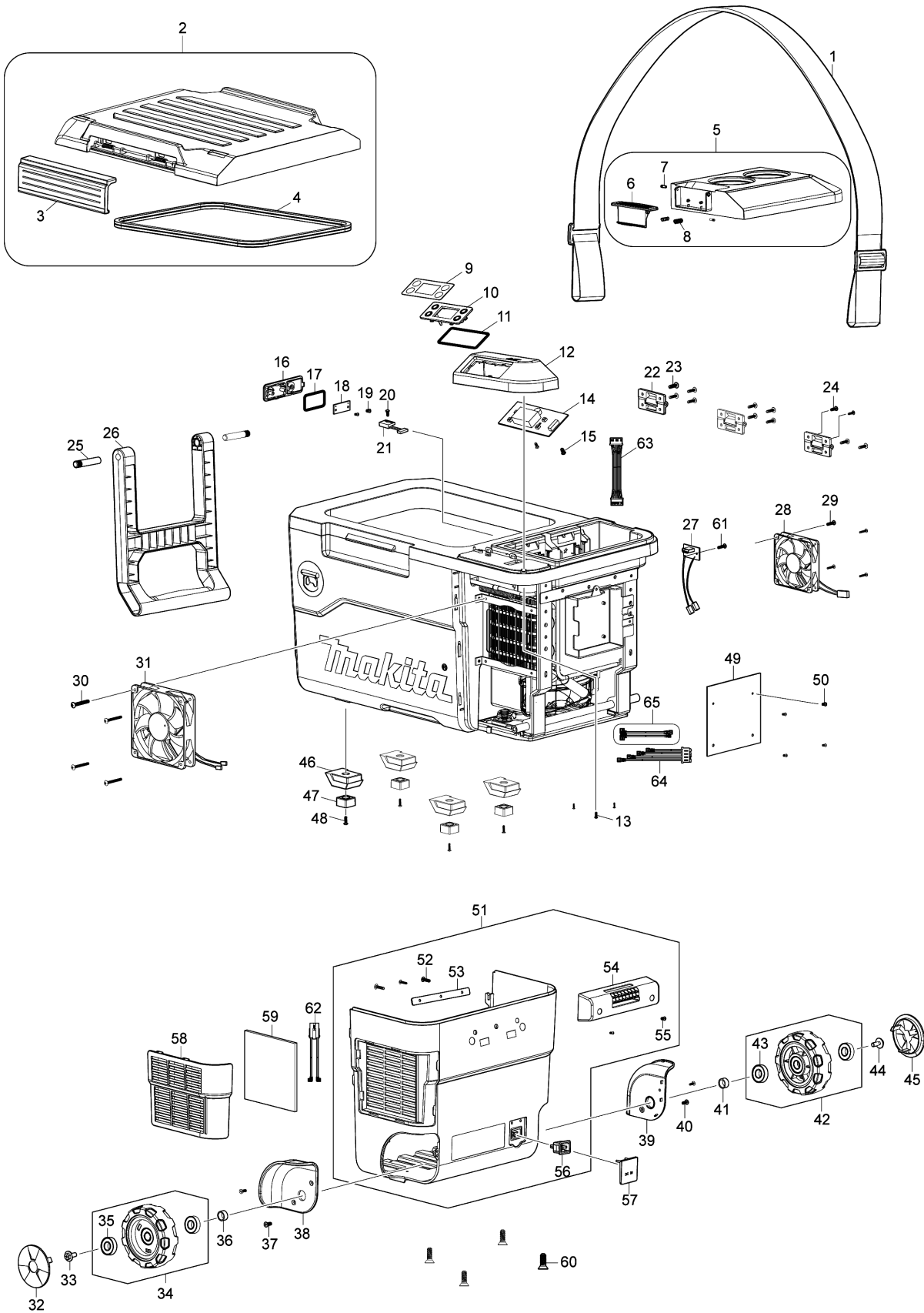


### Model No.DCW180 CORDLESS COOLER & WARMER BOX



## Model No.DCW180 CORDLESS COOLER &amp; WARMER BOX

| Položka | Číslo dílu | Popis                          | Změna | Množství | New/Old | Možnost 1 | Možnost 2 | Poznámka |
|---------|------------|--------------------------------|-------|----------|---------|-----------|-----------|----------|
| 001     | A-71093    | SHOULDER BELT                  |       | 1        |         |           |           |          |
| 002     | WL00000004 | TOP COVER ASSY                 |       | 1        |         |           |           |          |
| D10     |            | INC. 3,4                       |       |          |         |           |           |          |
| 003     | WL00000005 | HANDLE A                       |       | 1        |         |           |           |          |
| 004     | WL00000006 | SEALING                        |       | 1        |         |           |           |          |
| 005     | WL00000007 | BATTERY COVER                  |       | 1        |         |           |           |          |
| D10     |            | INC. 6,7,8                     |       |          |         |           |           |          |
| 006     | WL00000008 | HANDLE B                       |       | 1        |         |           |           |          |
| 007     | WL00000009 | SHAFT 3MM (BATTERY BOX HANDLE) |       | 2        |         |           |           |          |
| 008     | WL00000010 | COMPRESSION SPRING 5MM         |       | 2        |         |           |           |          |
| 009     | WL00000072 | CONTROL FILM B                 |       | 1        |         |           |           |          |
| 010     | WL00000012 | BUTTON PCB                     |       | 1        |         |           |           |          |
| 011     | WL00000013 | SEALING B                      |       | 1        |         |           |           |          |
| 012     | WL00000014 | CONTROL PANEL                  |       | 1        |         |           |           |          |
| 013     | WL00000015 | TAPPING SCREW 3X10             |       | 3        |         |           |           |          |
| 014     | WL00000016 | CONTROL PCB                    |       | 1        |         |           |           |          |
| 015     | WL00000017 | TAPPING SCREW 3X8              |       | 2        |         |           |           |          |
| 016     | WL00000018 | THERMOSTAT TOP COVER           |       | 1        |         |           |           |          |
| 017     | WL00000019 | SEALING C                      |       | 1        |         |           |           |          |
| 018     | WL00000020 | LIGHT BOARD ASSY               |       | 1        |         |           |           |          |
| 019     | WL00000017 | TAPPING SCREW 3X8              |       | 2        |         |           |           |          |
| 020     | WL00000015 | TAPPING SCREW 3X10             |       | 1        |         |           |           |          |
| 021     | WL00000021 | MAGNETIC SWITCH WITH CABLE     |       | 1        |         |           |           |          |
| 022     | WL00000022 | HINGE                          |       | 3        |         |           |           |          |
| 023     | WL00000023 | TAPPING SCREW 4X16             |       | 10       |         |           |           |          |
| 024     | WL00000024 | TAPPING SCREW 4X12             |       | 2        |         |           |           |          |
| 025     | WL00000025 | SHAFT 10MM (DRAG HANDLE)       |       | 2        |         |           |           |          |
| 026     | WL00000026 | DRAG HANDLE                    |       | 1        |         |           |           |          |
| 027     | WL00000027 | USB PCB WITH CABLE             |       | 1        |         |           |           |          |
| 028     | WL00000028 | FAN (AIR OUTLET) WITH CABLE    |       | 1        |         |           |           |          |
| 029     | WL00000029 | PAN HEAD SCREW M4X35           |       | 4        |         |           |           |          |
| 030     | WL00000029 | PAN HEAD SCREW M4X35           |       | 4        |         |           |           |          |
| 031     | WL00000030 | FAN (AIR INLET) WITH CABLE     |       | 1        |         |           |           |          |
| 032     | WL00000031 | WHEEL COVER                    |       | 1        |         |           |           |          |
| 033     | WL00000032 | SCREW M6X16 WITH WASHER        |       | 1        |         |           |           |          |
| 034     | WL00000033 | WHEEL ASSY                     |       | 1        |         |           |           |          |
| D10     |            | INC. 35                        |       |          |         |           |           |          |
| 035     | WL00000034 | BEARING FOR SHAFT              |       | 2        |         |           |           |          |
| 036     | WL00000035 | SHAFT SLEEVE 12MM              |       | 1        |         |           |           |          |
| 037     | WL00000036 | COUNTERSUNK TAPPING SCREW 4X12 |       | 2        |         |           |           |          |
| 038     | WL00000037 | LEFT WHEEL COVER               |       | 1        |         |           |           |          |
| 039     | WL00000038 | RIGHT WHEEL COVER              |       | 1        |         |           |           |          |

Please order the parts with part number.

Print Date 18/2/2021

## Model No.DCW180 CORDLESS COOLER &amp; WARMER BOX

| Položka | Číslo dílu | Popis                          | Změna | Množství | New/Old | Možnost 1 | Možnost 2 | Poznámka |
|---------|------------|--------------------------------|-------|----------|---------|-----------|-----------|----------|
| 040     | WL00000036 | COUNTERSUNK TAPPING SCREW 4X12 |       | 2        |         |           |           |          |
| 041     | WL00000035 | SHAFT SLEEVE 12MM              |       | 1        |         |           |           |          |
| 042     | WL00000033 | WHEEL ASSY                     |       | 1        |         |           |           |          |
| D10     |            | INC. 43                        |       |          |         |           |           |          |
| 043     | WL00000034 | BEARING FOR SHAFT              |       | 2        |         |           |           |          |
| 044     | WL00000032 | SCREW M6X16 WITH WASHER        |       | 1        |         |           |           |          |
| 045     | WL00000031 | WHEEL COVER                    |       | 1        |         |           |           |          |
| 046     | WL00000039 | FOOT                           |       | 4        |         |           |           |          |
| 047     | WL00000040 | FOOT PAD                       |       | 4        |         |           |           |          |
| 048     | WL00000041 | TAPPING SCREW 4X20             |       | 4        |         |           |           |          |
| 049     | WL00000042 | POWER PCB ASSY                 |       | 1        |         |           |           |          |
| 050     | WL00000017 | TAPPING SCREW 3X8              |       | 4        |         |           |           |          |
| 051     | WL00000043 | REAR COVER ASSY                |       | 1        |         |           |           |          |
| D10     |            | INC. 52-56                     |       |          |         |           |           |          |
| 052     | WL00000044 | TAPPING SCREW 4X12             |       | 3        |         |           |           |          |
| 053     | WL00000045 | HANDLE STRENGTHEN IRON         |       | 1        |         |           |           |          |
| 054     | WL00000046 | LIFTED HANDLE R                |       | 1        |         |           |           |          |
| 055     | WL00000047 | TAPPING SCREW 4X12             |       | 2        |         |           |           |          |
| 056     | WL00000048 | DC IN SOCKET                   |       | 1        |         |           |           |          |
| 057     | WL00000049 | DC IN COVER                    |       | 1        |         |           |           |          |
| 058     | WL00000050 | DUST PROOF COVER               |       | 1        |         |           |           |          |
| 059     | WL00000051 | FILTER SPONGE                  |       | 1        |         |           |           |          |
| 060     | WL00000052 | COUNTERSUNK TAPPING SCREW 4X18 |       | 4        |         |           |           |          |
| 061     | WL00000067 | SCREW ST3X12                   |       | 2        |         |           |           |          |
| 062     | WL00000068 | POWER CONNECTION WIRE          |       | 1        |         |           |           |          |
| 063     | WL00000069 | CONTROLLING PCB WIRE           |       | 1        |         |           |           |          |
| 064     | WL00000070 | COMPRESSOR PCB WIRE            |       | 1        |         |           |           |          |
| 065     | WL00000071 | COMPRESSOR INPUT WIRE          |       | 1        |         |           |           |          |
| A01     | WL00000058 | AC ADAPTOR ASSY C              |       | 1        |         |           |           |          |
| C10     | WL00000063 | AC POWER CORD                  |       | 1        |         |           |           |          |
| A02     | WL00000002 | CIGAR LIGHTER DC 12-24V        |       | 1        |         |           |           |          |
| C10     | WL00000056 | FUSE                           |       | 1        |         |           |           |          |

Please order the parts with part number.

Print Date 18/2/2021