

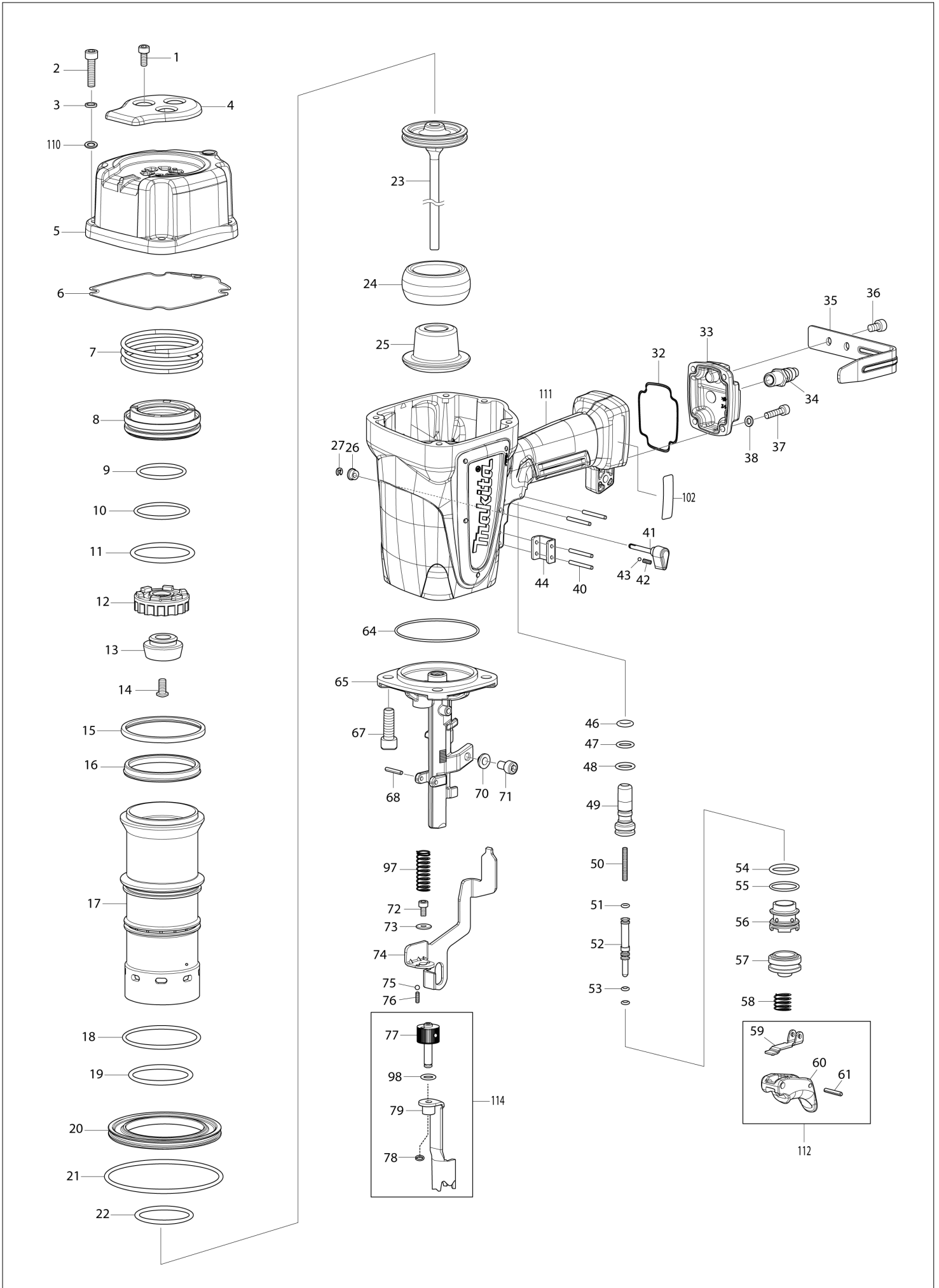
Diagram / Parts List

AN924

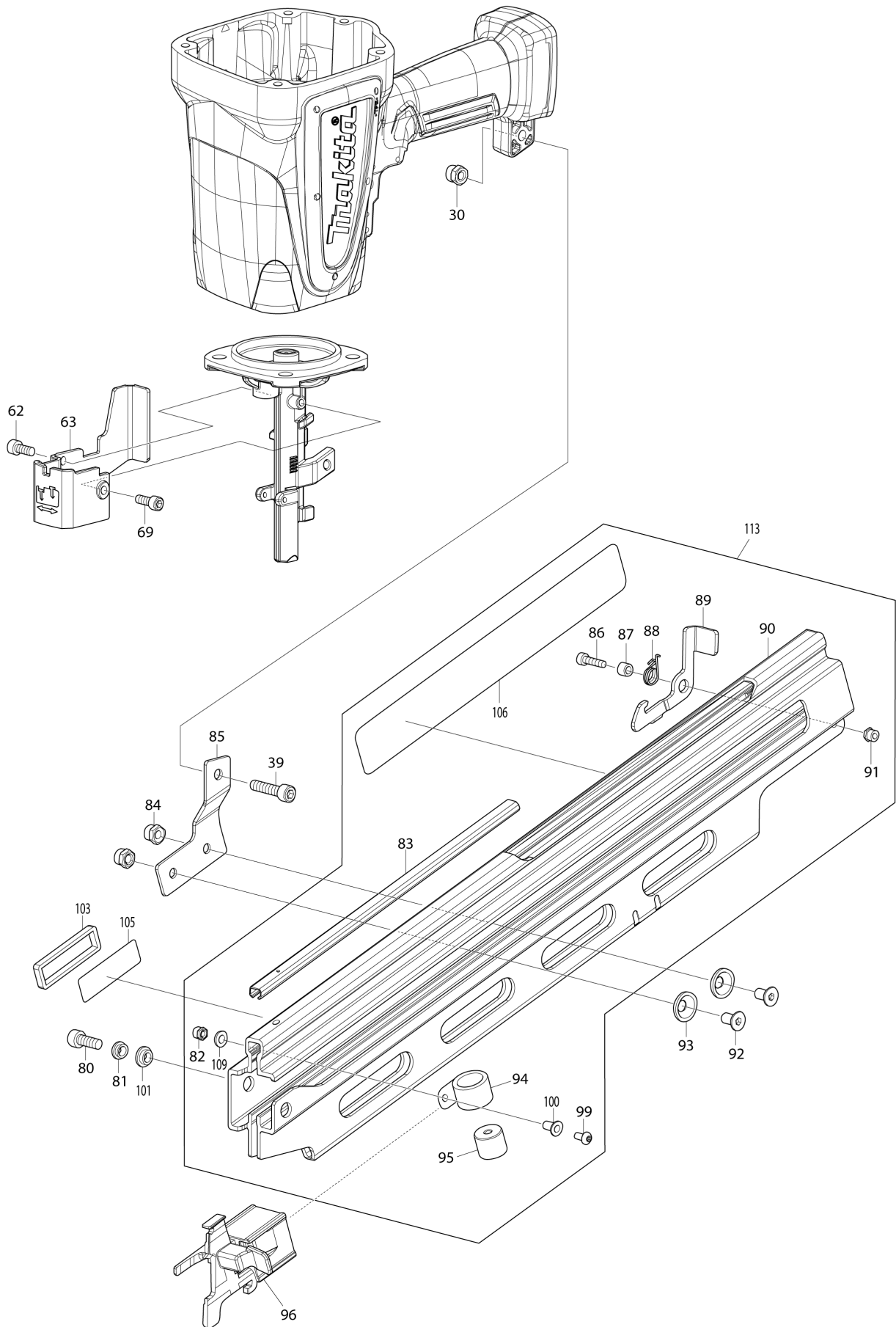
PNEUMATIC FRAMING NAILER



(NL) AN924 / PNEUMATIC FRAMING NAILER



(NL) AN924 / PNEUMATIC FRAMING NAILER



AN924 / PNEUMATIC FRAMING NAILER

Item	Sub	Parts No.	Parts Description	Qty	I/C	E/C No.	Close No.	Remark
001		HY00000155	HEX.SOCKET HEAD BOLT M5X12	3				
002		HY00000831	HEX.SOCKET HEAD BOLT M6X30	4				
003		HY00000832	SPRING WASHER 6	4				
004		HY00000833	EXHAUST COVER	1				
005		HY00000834	TOP CAP	1				
006		HY00000835	SEAL RING	1				
007		HY00000836	COMPRESSION SPRING 57	1				
008		HY00000837	HEAD VALVE	1				
009		HY00000838	O-RING 44	1				
010		HY00000405	ORING47	1				
011		HY00000839	O-RING 61	1				
012		HY00000840	HEAD VALVE GUIDE	1				
013		HY00000841	REAR CUSHION	1				
014		HY00000842	HEX. SOCKET BUTTON HEAD SCREW	1				
015		HY00000843	VALVE SHEET GUIDE	1				
016		HY00000844	VALVE SHEET	1				
017		HY00000845	CYLINDER	1				
018		HY00000846	O-RING 62	1				
019		HY00000839	O-RING 61	1				
020		HY00000848	CYLINDER SEPARATOR	1				
021		HY00000849	O-RING 91	1				
022		HY00000850	O-RING 50	1				
023		HY00000851	DRIVER COMPLETE	1				
024		HY00000854	FRONT CUSHION B	1				
025		HY00000855	FRONT CUSHION A	1				
026		HY00000520	SLEEVE4	1				
027		HY00000659	STOP RING E-3	1				
030		HY00000858	HEX. LOCK NUT M6	1				
032		HY00000860	SEAL RING	1				
033		HY00000861	INLET CAP	1				
034		HY00000081	ONE TOUCH JOINT	1				
035		HY00000862	HOOK	1				
036		HY00000863	HEX. SOCKET HEAD BOLT M6X10	1				
037		HY00000864	HEX. SOCKET HEAD BOLT M5X20	4				
038		HY00000865	FLAT WASHER 5	4				
039		HY00000157	HEX.SOCKET HEAD BOLT M6X25	1				
040		HY00000866	SPRING PIN 3-30	4				
041		HY00000518	LEVER4	1				
042		HY00000590	COMPRESSIONSPRING2	1				
043		HY00000526	STEELBALL3	1				
044		HY00000867	HOLDER	1				
046		HY00000806	O-RING 7	1				
047		HY00000132	O-RING 7	1				
048		HY00000807	O-RING 10	1				
049		HY00000809	PILOT VALVE	1				
050		HY00000810	COMPRESSION SPRING 2	1				
051		HY00000812	O-RING 4	1				
052		HY00000811	TRIGGER VALVE STEM	1				
053		HY00000813	O-RING 3	2				
054		HY00000135	O-RING 15	1				
055		HY00000137	O-RING 17	1				
056		HY00000808	TRIGGER VALVE GUIDE	1				
057		HY00000814	TRIGGER VALVE CASE	1				
058		HY00000705	COMPRESSION SPRING 10	1				
059		HY00000816	IDLER	1				
060		HY00000436	TRIGGER	1				
061		HY00000114	SPRING PIN 2.5-16	1				
062		HY00000154	HEX.SOCKET HEAD BOLT M5X8	1				
063		HY00000869	CONTACT ARM COVER	1				
064		HY00000870	O-RING 65	1				
065		HY00000871	DRIVER GUIDE	1				
067		HY00000873	HEX.SOCKET HEAD BOLT M8X25	4				
068		HY00000531	SPRINGPIN3-22	1				
069		HY00000154	HEX.SOCKET HEAD BOLT M5X8	1				
070		HY00000874	SLEEVE 6	1				

Interchange
 O : Yes
 X : No
 < : the new part can be substituted for the current.
 > : the current part can be substituted for the new.
 S : Interchangeable as a set.

NL	NETHERLANDS
-----------	--------------------

AN924 / PNEUMATIC FRAMING NAILER

Item	Sub	Parts No.	Parts Description	Qty	I/C	E/C No.	Close No.	Remark
071		HY00000863	HEX. SOCKET HEAD BOLT M6X10	1				
072		HY00000074	HEX.SOCKET HEAD BOLT M4X8	1				
073		HY00000875	WASHER 4	1				
074		HY00000876	UPPER YOKE	1				
075		HY00000526	STEELBALL3	1				
076		HY00000470	COMPRESSIONSPRING2	1				
077		HY00000877	ADJUSTER SHAFT	1				
078		HY00000795	RING SPRING 5	1				
079		HY00000878	CONTACT TOP	1				
080		HY00000881	HEX.SOCKET HEAD BOLT M6X16	1				
081		HY00000874	SLEEVE 6	1				
082		HY00000159	HEX. LOCK NUT M4	1				
083		HY00000883	MAGAZINE RAIL	1				
084		HY00000858	HEX. LOCK NUT M6	2				
085		HY00000884	JOINT	1				
086		HY00000885	HEX.SOCKET HEAD BOLT M4X16	1				
087		HY00000886	SLEEVE 5	1				
088		HY00000887	TORSION SPRING 9	1				
089		HY00000888	LOCK LEVER	1				
090		HY00000889	MAGAZINE	1				
091		HY00000159	HEX. LOCK NUT M4	1				
092		HY00000890	HEX.SOCKET C.S. HEAD SCREW M6X	2				
093		HY00000874	SLEEVE 6	2				
094		HY00000892	SPIRAL SPRING 17	1				
095		HY00000893	SPRING HOLDER	1				
096		HY00000894	PUSHER	1				
097		HY00000895	COMPRESSIONSPRING9	1				
098		HY00000397	ORING5	1				
099		HY00000001	HEX.SOCKET HEAD BOLT M4X10	1				
100		HY00000874	SLEEVE 6	1				
101		HY00000874	SLEEVE 6	1				
102		HY00000105	CAUTION LABEL	1				
103		HY00000574	CASE	1				
105		HY00000576	DOUBLESIDETAPE	1				
106		HY00000105	CAUTION LABEL	1				
109		HY00000900	WASHER 4	1				
110		HY00000901	WASHER 6	4				
111		HY00000902	HOUSING COMPLETE	1				
112		HY00000903	TRIGGER COMPLETE	1				
	D10		INC. 59-61					
113		HY00000904	MAGAZINE COMPLETE	1				
	D10		INC. 82,83,86-91,94,95,99,100,					
	D20		INC. 106,109					
114		HY00000905	CONTACT TOP,ADJUSTERSHAFT COM	1				
	D10		INC. 77-79,98					
115		HY00000956	PISTON ASSEMBLY	1		Y08033		
	D10		INC. 6,22,23			Y08033		
116		HY00000957	PISTON BUMPER ASSEMBLY	1		Y08033		
	D10		INC. 6,24,25			Y08033		
117		HY00000958	HOOK ASSEMBLY	1		Y08033		
	D10		INC. 35,36			Y08033		
118		HY00000959	TRIGGER VALVE ASSEMBLY	1		Y08033		
	D10		INC. 46-57			Y08033		
119		HY00000960	O-RING KIT	1		Y08033		
	D10		INC. 6,9-11,18,19,21,22,32,			Y08033		
	D20		46-48,51,53-55,64,98			Y08033		
120		HY00000961	SPRIAL SPRING ASSEMBLY	1		Y08033		
	D10		INC. 82,94,95,99,100,109			Y08033		
A01		HY00000951	SAFETY GOGGLE	1				
A02-1		181434-7	OIL SUPPLY 30CC	1		Y08383		
A03		HY00000953	HEX WRENCH 5	1				

Interchange
O : Yes
X : No
< : the new part can be substituted for the current.
> : the current part can be substituted for the new.
S : interchangeable as a set.