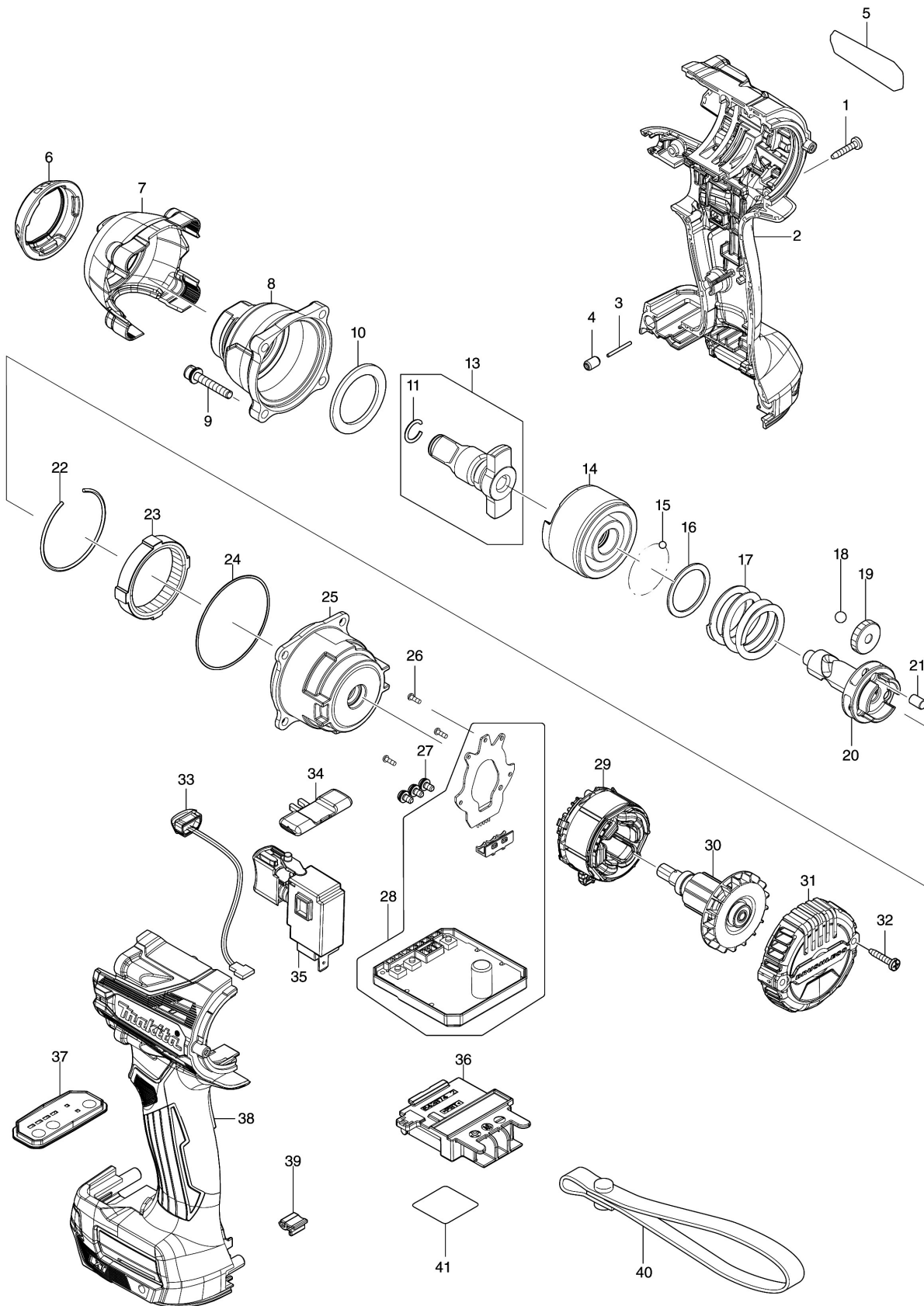


Model No.DTW300 CORDLESS IMPACT WRENCH



Model No.DTW300 CORDLESS IMPACT WRENCH

| Položka | Číslo dílu | Popis                          | Změna | Množství | New/Old | Možnost 1 | Možnost 2 | Poznámka |
|---------|------------|--------------------------------|-------|----------|---------|-----------|-----------|----------|
| 001     | 266130-9   | TAPPING SCREW BIND PT 3X16     |       | 8        |         |           |           |          |
| 002     | 183P27-2   | HOUSING SET                    |       | 1        |         |           |           |          |
| C10     | 263005-3   | RUBBER PIN 6                   |       | 2        |         |           |           |          |
| C20     | 252126-6   | HEX. LOCK NUT M4-7             |       | 2        |         |           |           |          |
| D10     |            | INC. 38                        |       |          |         |           |           |          |
| 003     | 268284-8   | PIN 1.5                        |       | 1        |         |           |           |          |
| 004     | 263036-2   | RUBBER PIN 5                   |       | 1        |         |           |           |          |
| 005     | 857A18-6   | DTW300 NAME PLATE              |       | 1        |         |           |           |          |
| 006     | 422584-2   | BUMPER                         |       | 1        |         |           |           |          |
| 007     | 412556-5   | HAMMER CASE COVER              |       | 1        |         |           |           |          |
| 008     | 140T36-8   | HAMMER CASE COMPLETE           |       | 1        |         |           |           |          |
| 009     | 265472-8   | HEX. SOCKET HEAD BOLT<br>M4X25 |       | 4        |         |           |           |          |
| 010     | 261154-0   | NYLON WASHER 28                |       | 1        |         |           |           |          |
| 011     | 231907-1   | RING SPRING 10                 |       | 1        |         |           |           |          |
| 013     | 136223-5   | ANVIL E ASSY                   |       | 1        |         |           |           |          |
| D10     |            | INC. 11                        |       |          |         |           |           |          |
| 014     | 327572-3   | HAMMER                         |       | 1        |         |           |           |          |
| 015     | 216001-0   | STEEL BALL 3.5                 |       | 24       |         |           |           |          |
| 016     | 267175-0   | FLAT WASHER 24                 |       | 1        |         |           |           |          |
| 017     | 232615-7   | COMPRESSION SPRING 25          |       | 1        |         |           |           |          |
| 018     | 216011-7   | STEEL BALL 5.6                 |       | 2        |         |           |           |          |
| 019     | 227338-0   | SPUR GEAR 22                   |       | 3        |         |           |           |          |
| 020     | 327573-1   | SPINDLE                        |       | 1        |         |           |           |          |
| 021     | 268311-1   | PIN 5                          |       | 3        |         |           |           |          |
| 022     | 233910-8   | RING SPRING 43                 |       | 1        |         |           |           |          |
| 023     | 227337-2   | INTERNAL GEAR 51               |       | 1        |         |           |           |          |
| 024     | 213785-1   | O-RING 49                      |       | 1        |         |           |           |          |
| 025     | 140T37-6   | INTERNAL GEAR CASE<br>COMPLETE |       | 1        |         |           |           |          |
| 026     | 266490-9   | TAPPING SCREW PT 2X6           |       | 3        |         |           |           |          |
| 027     | 652069-6   | FLAT HEAD SCREW M3X6           |       | 3        |         |           |           |          |
| 028     | 620C64-2   | CONTROLLER                     |       | 1        |         |           |           |          |
| 029     | 629477-6   | STATOR                         |       | 1        |         |           |           |          |
| 030     | 619626-3   | ROTOR                          |       | 1        |         |           |           |          |
| 031     | 412555-7   | REAR COVER                     |       | 1        |         |           |           |          |
| 032     | 266130-9   | TAPPING SCREW BIND PT 3X16     |       | 2        |         |           |           |          |
| 033     | 620521-2   | LED CIRCUIT                    |       | 1        |         |           |           |          |
| 034     | 455053-8   | F/R CHANGE LEVER               |       | 1        |         |           |           |          |
| 035     | 651443-5   | SWITCH C3JR-4B                 |       | 1        |         |           |           |          |
| 036     | 643874-2   | TERMINAL                       |       | 1        |         |           |           |          |
| 037     | 140T43-1   | SWITCH PLATE COMPLETE          |       | 1        |         |           |           |          |
| C10     | 8012S9-8   | SWITCH LABEL                   |       | 1        |         |           |           |          |
| 038     | 183P27-2   | HOUSING SET                    |       | 1        |         |           |           |          |
| C10     | 263005-3   | RUBBER PIN 6                   |       | 2        |         |           |           |          |
| C20     | 252126-6   | HEX. LOCK NUT M4-7             |       | 2        |         |           |           |          |

Model No.DTW300 CORDLESS IMPACT WRENCH

| Položka | Číslo dílu | Popis                          | Změna | Množství | New/Old | Možnost 1 | Možnost 2 | Poznámka |
|---------|------------|--------------------------------|-------|----------|---------|-----------|-----------|----------|
| D10     |            | INC. 2                         |       |          |         |           |           |          |
| 039     | 424517-3   | CUSHION                        |       | 1        |         |           |           |          |
| 041     | 857A26-7   | DTW300 SERIAL NUMBER LABEL     |       | 1        |         |           |           |          |
| A01     | 266622-8   | + TRUSS HEAD SCREW M4X12       |       | 1        |         |           |           |          |
| A02     | 346317-0   | HOOK                           |       | 1        |         |           |           |          |
| A03B    | 821550-0   | CONNECTOR PLASTIC CASE (TYPE2) |       | 1        |         |           |           |          |
| C10     | 453974-8   | LATCH                          |       | 4        |         |           |           |          |
| A04B    | 835L10-8   | INNER TRAY                     |       | 1        |         |           |           |          |
| A05B    | 8013Y9-6   | DTW300RTJ PLASTIC CASE LABEL   |       | 2        |         |           |           |          |
| A06B    | 8013Y8-8   | DTW300RTJ INDICATION LABEL     |       | 1        |         |           |           |          |
| A07B    | ***DC18RC  | DC18RC FAST CHARGER            |       | 1        |         |           |           |          |
| D10     |            | COMPO-PARTS                    |       |          |         |           |           |          |
| A08B    | 450128-8   | BATTERY COVER                  |       | 1        |         |           |           |          |
| A09B    | 197280-8   | BATTERY BL1850B SET            |       | 2        |         |           |           |          |

Please order the parts with part number.

Print Date 26/6/2020