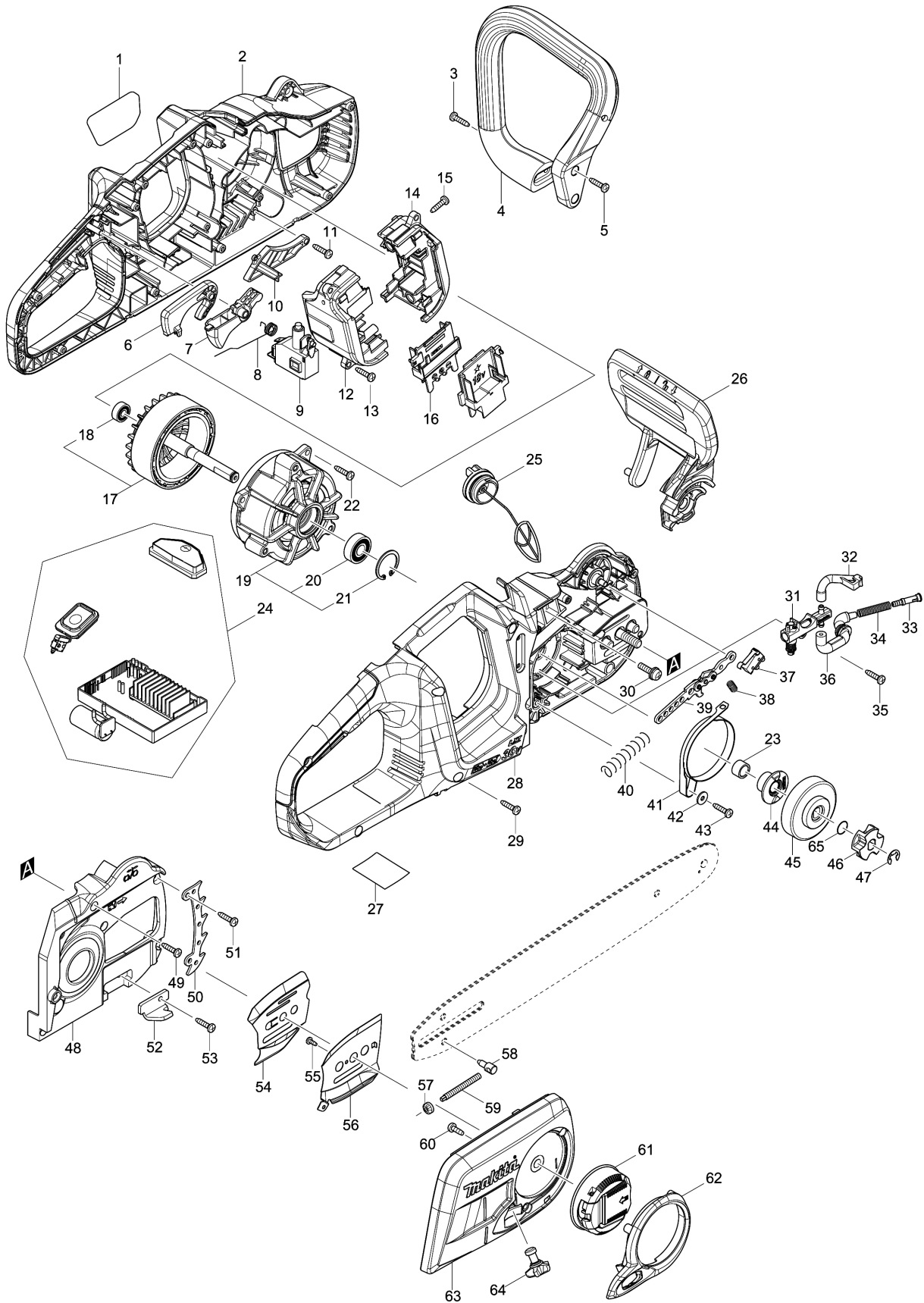


Model No.DUC303 300MM CORDLESS CHAIN SAW



Model No.DUC303 300MM CORDLESS CHAIN SAW

Položka	Číslo dílu	Popis	Změna	Množství	New/Old	Prodej	Nákup	Poznámka
001	810R16-3	DUC303 MODEL NO. LABEL		1				
002	183F61-2	HOUSING SET		1	*	2,462.00		
C10	812D15-7	CAUTION LABEL		1	*			
D10		INC. 28			*			
002-1	183F61-2	HOUSING SET	O	1		2,462.00		
C10	812D15-7	CAUTION LABEL		1				
D10		INC. 28						
003	266326-2	šroub 4x18=new265995-6		2		8.00		
004	457007-1	FRONT HANDLE		1		259.00		
005	266326-2	šroub 4x18=new265995-6		2		8.00		
006	457013-6	CATCH LEVER		1		37.00		
007	457006-3	SWITCH LEVER		1		37.00		
008	232318-3	TORSION SPRING 10		1		62.00		
009	650781-2	SWITCH C3JW-6B-P		1		394.00		
010	457010-2	HOUSING L COVER		1		37.00		
011	266326-2	šroub 4x18=new265995-6		1		8.00		
012	183F15-9	TERMINAL BOX SET		1		136.00		
C10	263005-3	vymezovací čep 6		4		8.00		
D10		INC. 14						
013	266326-2	šroub 4x18=new265995-6		4		8.00		
014	183F15-9	TERMINAL BOX SET		1		136.00		
C10	263005-3	vymezovací čep 6		4		8.00		
D10		INC. 12						
015	266326-2	šroub 4x18=new265995-6		2		8.00		
016	643874-2	TERMINAL		2		86.00		
017	519411-3	ROTOR ASS'Y		1		2,339.00		
D10		INC. 18						
018	210028-2	BALL BEARING 606ZZ		1		25.00		
019	592H45-5	STATOR ASS'Y		1		2,708.00		
D10		INC. 20,21						
020	210059-1	BALL BEARING 6000DDW		1				
021	962105-3	segrovka vnitřní R-26		1		15.00		
022	266326-2	šroub 4x18=new265995-6		3		8.00		
023	257402-3	SLEEVE 10		1		15.00		
024	144254-0	CONTROLLER COMPLETE		1		4,186.00		
025-1	168508-1	TANK CAP COMPLETE		1		62.00		
C10	213355-6	O-RING 25		1				
026	457022-5	FRONT HAND GUARD		1	*	246.00		
026-1	458418-3	FRONT HAND GUARD	<	1		222.00		
027	852V49-6	DUC303 NAME PLATE		1				
028	183F61-2	HOUSING SET		1	*	2,462.00		
C10	812D15-7	CAUTION LABEL		1	*			

Please order the parts with part number.

Print Date 4/2/2020

Model No.DUC303 300MM CORDLESS CHAIN SAW

Položka	Číslo dílu	Popis	Změna	Množství	New/Old	Prodej	Nákup	Poznámka
D10		INC. 2			*			
028-1	183F61-2	HOUSING SET	O	1		2,462.00		
C10	812D15-7	CAUTION LABEL		1				
D10		INC. 2						
029	266326-2	šroub 4x18=new265995-6		8		8.00		
030	911233-1	šroub M5x20		3		8.00		
031	142156-4	OIL PUMP COMPLETE		1		345.00		
032	424904-6	CONNECTOR B		1		99.00		
033	452666-6	NIPPLE		1				
034	234207-8	COMPRESSION SPRING 6		1				
035	266326-2	šroub 4x18=new265995-6		1		8.00		
036	424903-8	CONNECTOR A		1		99.00		
037	632H47-0	SWITCH UNIT		1	*	320.00		
037-1	632H47-0	SWITCH UNIT	S	1		320.00		
038	231298-0	vinutá pružina 6 HM1500		1		15.00		
039	163448-8	LINKPLATE COMPLETE		1				
040	232319-1	COMPRESSION SPRING 9		1		49.00		
041	345454-7	pás brzdy		1		217.00		
042	267195-4	podložka DCS230T/UC3020A-Serie		1	*	20.00		
043	266326-2	šroub 4x18=new265995-6		1	*	8.00		
043-1	265620-9	TAPPING SCREW FLANGE 4X18	S	1				
044	221427-3	WORM GEAR		1		99.00		
045	161526-8	BRAKE DRUM COMPLETE		1		1,083.00		
046	221464-7	SPROCKET 6		1		37.00		
047	961013-5	zajišťovací kroužek		1		8.00		
048	457004-7	HOUSING R COVER		1		209.00		
049	266326-2	šroub 4x18=new265995-6		4		8.00		
050	347078-5	SPIKE BUMPER		1		111.00		
051	266326-2	šroub 4x18=new265995-6		2		8.00		
052	347079-3	CHAIN CATCHER		1		86.00		
053	266326-2	šroub 4x18=new265995-6		1		8.00		
054	346694-0	GUIDE PLATE ES		1		25.00		
055	266166-8	933308		1		8.00		
056	346699-0	GUIDE PLATE CS		1		37.00		
057	227496-2	ozubené kolo UC3020A=old226213320		1		160.00		
058	326310-0	ADJUST PIN		1		160.00		
059	326312-6	ADJUST SCREW		1				
060	266427-6	TAPPING SCREW 4X12		3		5.00		
061	142235-8	NUT COMPLETE		1		99.00		
062	454519-5	NUT COVER		1				
063	457000-5	SPROCKET COVER		1		320.00		

Please order the parts with part number.

Print Date 4/2/2020

Model No.DUC303 300MM CORDLESS CHAIN SAW

Položka	Číslo dílu	Popis	Změna	Množství	New/Old	Prodej	Nákup	Poznámka
064	142288-7	WHEEL COMPLETE		1				
C10	213011-8	O Ring = old 461009		1		15.00		
065	213060-5	O RING 10		1		10.00		
A02	165245-8	GUIDE BAR		1				
A03	419288-5	kryt pro UC3020/3520A		1		112.00		
A04	196740-7	SAW CHAIN SET		1				

Please order the parts with part number.

Print Date 4/2/2020