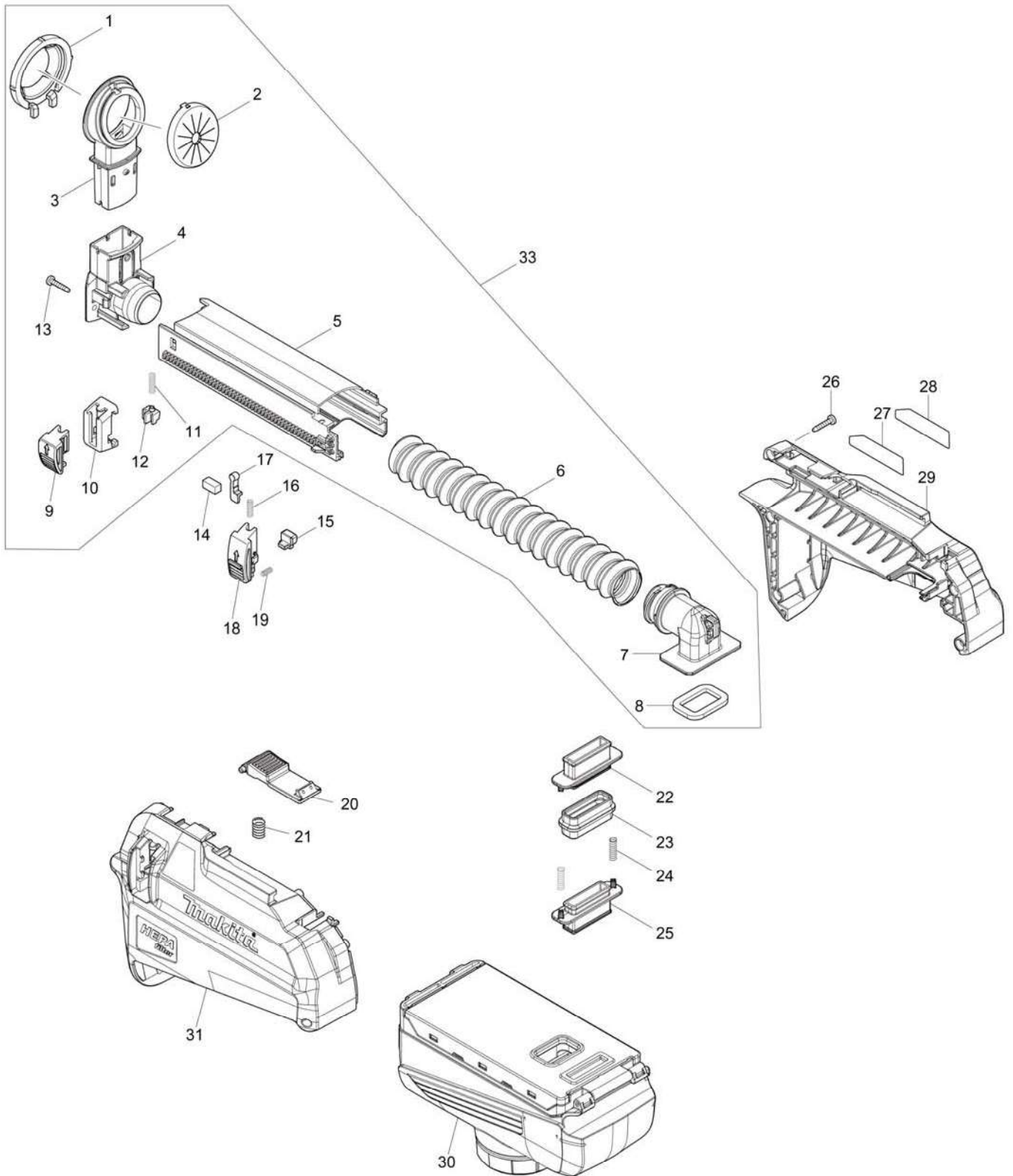
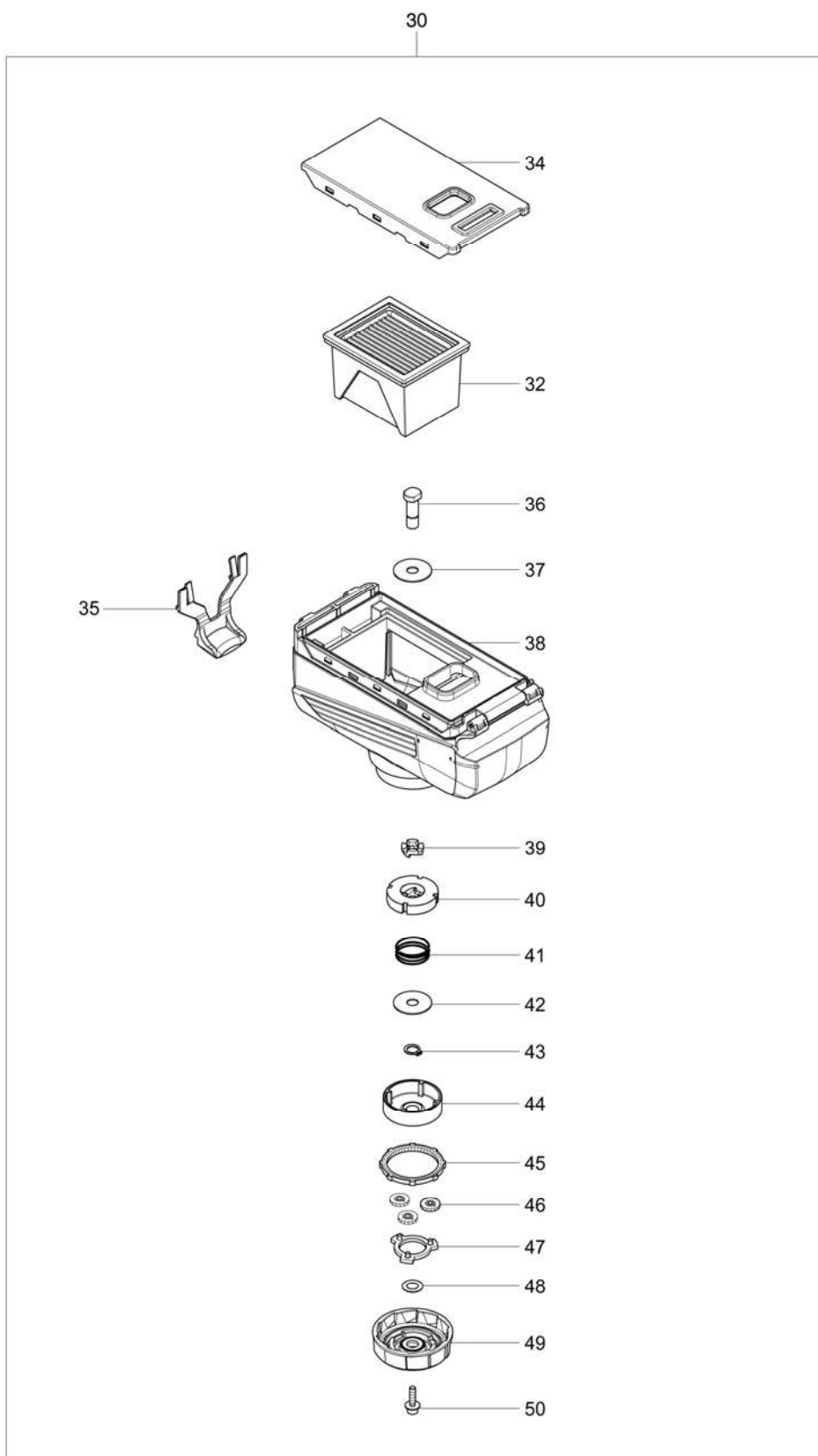


(PL) DX05 / DUST COLLECTION SYSTEM



(PL) DX05 / DUST COLLECTION SYSTEM



### DX05 / DUST COLLECTION SYSTEM

Item	Sub	Parts No.	Parts Description	Qty	I/C	E/C No.	Close No.	Remark
001		424722-2	FITTING RUBBER	1				
002		424474-5	SEALING CAP	1				
003		455736-0	COLLECTOR	1				
004		458858-5	COLLECTOR BASE	1				
005		458857-7	SLIDE PIPE	1				
006		245052-6	HOSE 30	1				
007		458859-3	INNER PIPE	1				
008		422358-1	SPONGE SHEET B	1				
009		453141-5	SLIDE LEVER A	1				
010		453140-7	STOPPER BASE	1				
011		234227-2	COMPRESSION SPRING 3	1				
012		453702-1	RACK A	1				
013		266130-9	TAPPING SCREW BIND PT 3X16	2				
014		422423-6	CUSHION RUBBER	1				
015		453139-2	RACK B	1				
016		232428-6	COMPRESION SPRING 3	1				
017		458998-9	IMPACT ARM	1				
018		135958-5	SLIDE LEVER B ASSY	1				
019		232427-8	COMPRESION SPRING 2	1				
020		458861-6	LOCK LEVER B	1				
021		231316-4	COMPRESSION SPRING 7	1				
022		458860-8	JOINT SLEEVE	1				
023		422359-9	BELLOWS	1				
024		232479-9	COMPRESSION SPRING 4	2				
025		458860-8	JOINT SLEEVE	1				
026		266130-9	TAPPING SCREW BIND PT 3X16	6				
027		855C30-2	DX05 NAME PLATE	1				
028		818N49-8	CLEAR LABEL	1				
029		183L18-9	HOUSING SET	1				
	D10		INC. 31					
030		199595-9	DUST CASE SET	1				
	D10		INC. 32,34-50					
031		183L18-9	HOUSING SET	1				
	D10		INC. 29					
032		199596-7	FILTER SET	1				
033		136039-8	SLIDE PIPE ASS'Y	1				
	D10		INC. 1-13					
034		140G13-2	FILTER COVER COMPLETE	1				
	C10	422356-5	SPONGE SHEET C	1				
	C20	422357-3	SPONGE SHEET D	1				
035		453148-1	RELEASE LEVER	1				
036		327221-2	SHAFT	1				
037		253431-4	FLAT WASHER 8	1				
038		140H73-0	DUST CASE COMPLETE	1				
	C10	256533-5	ROD 2.5	1				
	C20	422355-7	SPONGE SHEET A	1				
	C30	458852-7	FILTER BASE	1				
039		310918-0	CAM	1				
040		310919-8	HAMMER	1				
041		232482-0	COMPRESSION SPRING 21	1				
042		253431-4	FLAT WASHER 8	1				
043		961004-6	RETAINING RING S-8	1				
044		226856-5	SUPER GEAR 17	1				
045		226857-3	INTERNAL GEAR 49	1				
046		226855-7	SUPER GEAR 15	3				
047		140F90-8	CARRIER COMPLETE	1				
048		253430-6	FLAT WASHER 8	1				
049		140H88-7	DIAL COMPLETE	1				
	C10	422431-7	SPONGE SHEET	1				
050		922129-1	H.S.H.BOLT M4X16 WITH WG	1				
A01		424474-5	SEALING CAP	5				

PL

Interchange  
 O : Yes  
 X : No  
 < : the new part can be substituted for the current.  
 > : the current part can be substituted for the new.  
 S : Interchangeable as a set.